

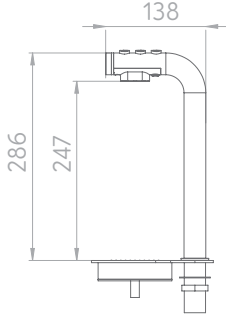
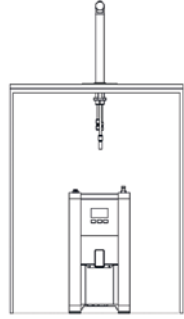




# 3B MIX FONT WITH UNDERCOUNTER BOILERS

3B MIX FONT 1000879		DIMENSIONS	SYSTEM SET-UP
			
<ul style="list-style-type: none"> <li>&gt; Space-saving countertop font</li> <li>&gt; Vacuum insulated tank for up to 70% more energy-efficiency</li> </ul>		<ul style="list-style-type: none"> <li>&gt; Dispense three volumes and three temperatures from one boiler</li> </ul>	

MIX UC3 1000880	MIX UC8 1000887
	OR 

FONT

NAME ORDER CODE	DIMENSIONS INCL. DRIP TRAY (D x W x H mm)	DIMENSIONS EXCL. DRIP TRAY (D x W x H mm)	TAP TO COUNTER (T mm)
3b MIX Font 1000879	168 x 120 x 287	138 x 30 x 287	247

BOILERS

PRODUCT INFO NAME ORDER CODE	WATER TYPE		SIZE DIMENSIONS	PERFORMANCE SPECS			PLUMBING & ELECTRICAL REQS	
	MULTI-TEMP	ADJUSTABLE TEMP	DIMENSIONS (D x W x H mm)	IMMEDIATE DRAW OFF	L/HR	CUPS /HR	POWER @220v	PLUMBING REQS
MIX UC3 1000880	Y	Y	385 x 210 x 444	3L	28L	156	2.8kW	3/4" BSP
MIX UC8 1000887			385 x 210 x 617	8L				

PACKAGING

NAME ORDER CODE	PACKAGING DIMENSIONS (L x W x H mm)	PACKED WEIGHT	QTY / PALLET
MIX UC3 1000880	450 x 290 x 540	11kg	18
MIX UC8 1000887	450 x 290 x 700	14kg	24
3b MIX Font 1000879	290 x 570 x 215	2kg	30